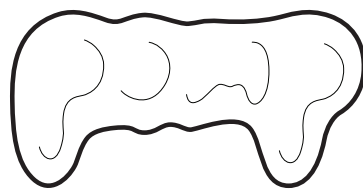




©2022 JOHN POMP STUDIOS (U.S. PATENT NO. D862,767)



CALLA MOBILE

# CALLA MOBILE

MODEL NO 10050401

Hand-blown, sculpted glass crystal pieces balanced from solid brass mobile

## AS SHOWN (IN PHOTO)

9 glass pieces - approx. dimensions 120"W x 84"D  
Glass - clear with iridescence  
Metal - oxidized brass

## DIMENSIONS

Available in four sizes:

3 glass pieces - approx. dimensions 60"W x 36"D  
5 glass pieces - approx. dimensions 84"W x 48"D  
7 glass pieces - approx. dimensions 108"W x 60"D  
9 glass pieces - approx. dimensions 120"W x 84"D

Glass - 12"W x 9"D x 3"H

Glass dimensions may vary slightly due to sculpted process

## ELECTRICAL

6w incandescent bulb per socket included

## AVAILABLE FINISHES

Glass colors - clear crystal, olivine, opaline, sepia, smoke, topaz, gold leaf

Glass finish - standard, with iridescence, soft etched

Metal - satin brass (standard), oxidized brass, satin nickel, oil rubbed blackened steel or light oil rubbed blackened steel

## ADDITIONAL NOTES

Lead time is 10-12 weeks, additional 2-3 weeks for premium glass colors. This fixture has minimum OAD requirements - please contact us for additional information.

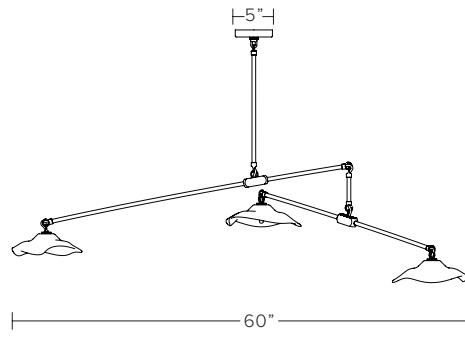
As per design intent, fixture may balance at angles different from what is shown and arms will reposition slightly if contact is made.

All dimensions listed are approximate and should be considered +/- 6".

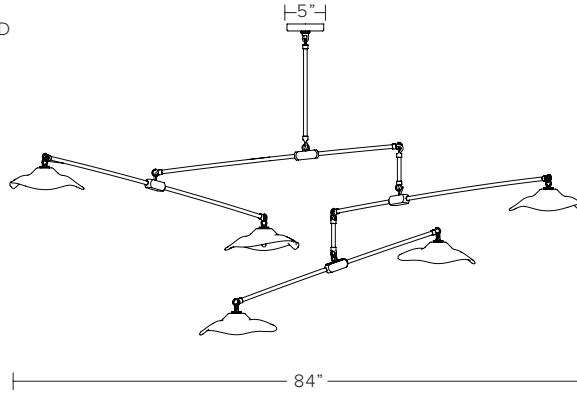
UL listed



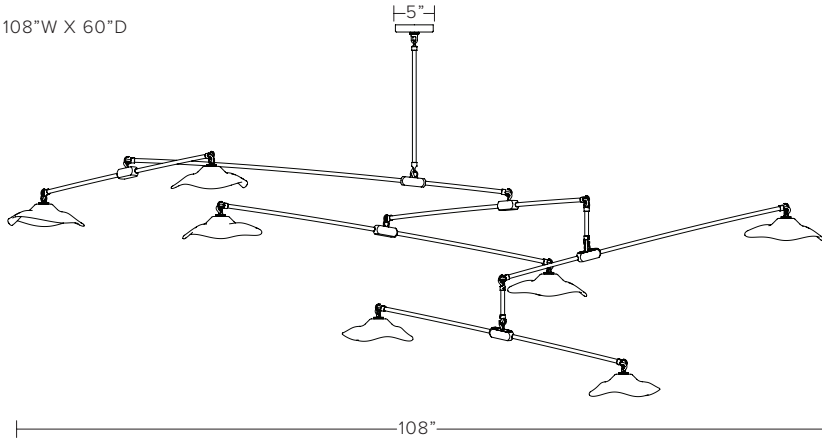
3 PIECE, 60"W X 36"D



5 PIECE, 84"W X 48"D



7 PIECE, 108"W X 60"D



9 PIECE, 120"W X 84"D

